

# PFXi Replacement of the lamp

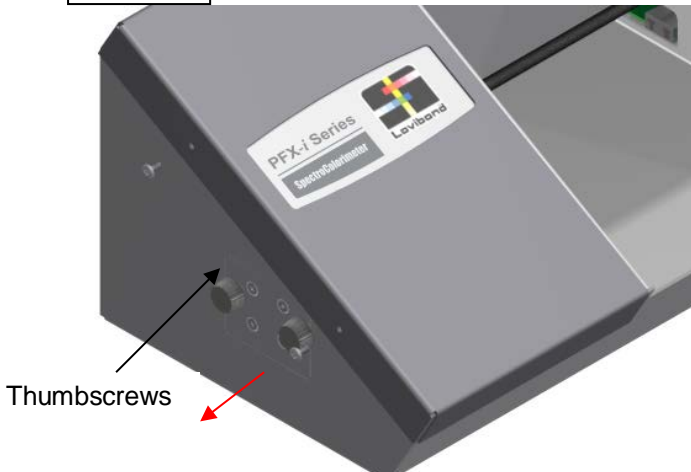


Disconnect from the power supply before continuing.

The Tintometer Ltd, Lovibond House, Sun Rise Way, Amesbury, SP4 7GR, UK

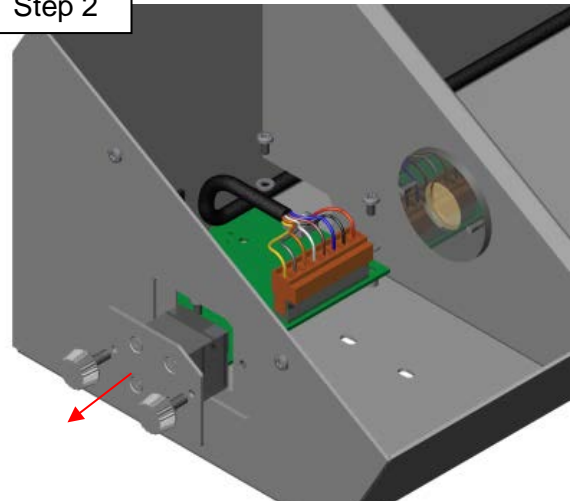
Tel: +44 (0) 1980 664800 Fax +44 (0) 1980 625412

Step 1



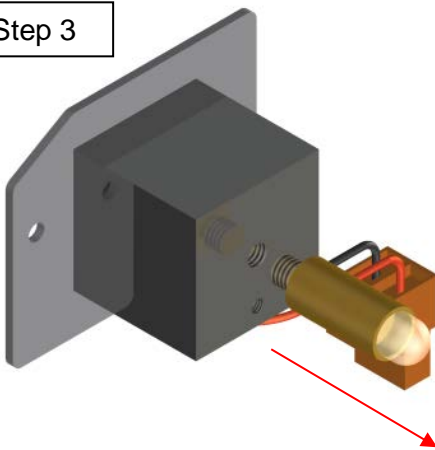
Remove the lamp holder by unscrewing the two thumbscrews on the side of the cabinet

Step 2



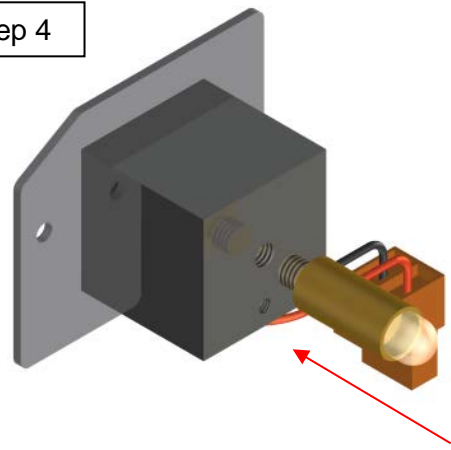
Pull the lamp holder assembly out of the cabinet..

Step 3



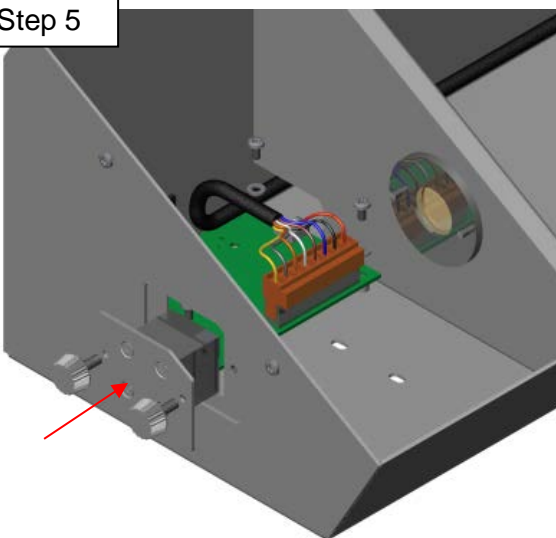
Unscrew the lamp from the lamp holder.

Step 4



Screw in the new lamp. **Do not touch the glass lens on the lamp, as fingerprints will impair its performance**

Step 5



Replace the lamp holder assembly in the cabinet.

Step 6



Replace the two thumbscrews on the side of the cabinet.

**After the lamp has been changed, carry out the following:**



Press **MENU**

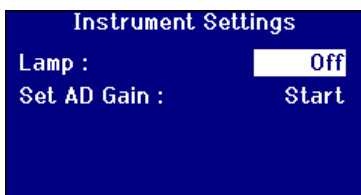
Press or to move the Highlight bar to **“Hardware Setup”**.

Press to select.

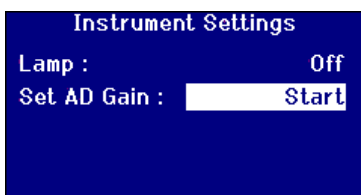


Press or to move the Highlight bar to **“Instrument Settings”**.

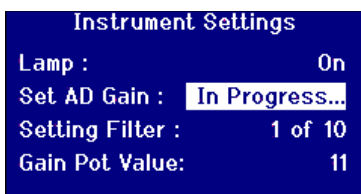
Press to select.



Press or to move the highlight bar to **“Lamp”**. The lamp can be switched on and off to test the lamp.



After the lamp has been changed, the gain settings of the instrument need to be set. Move the highlight bar to **“Set AD Gain”** and press to start the process.



The process will take several minutes. The display will show the progress of the operation.