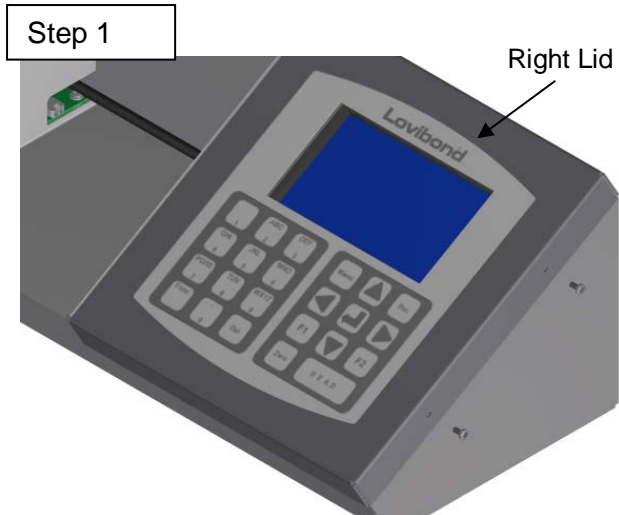


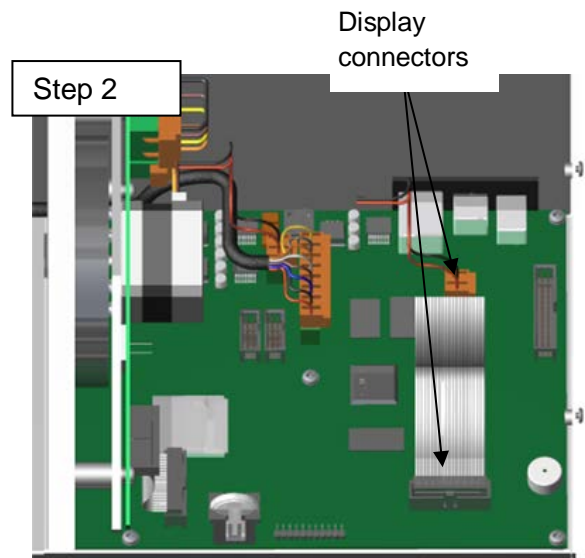
PFXi Replacement of Motor



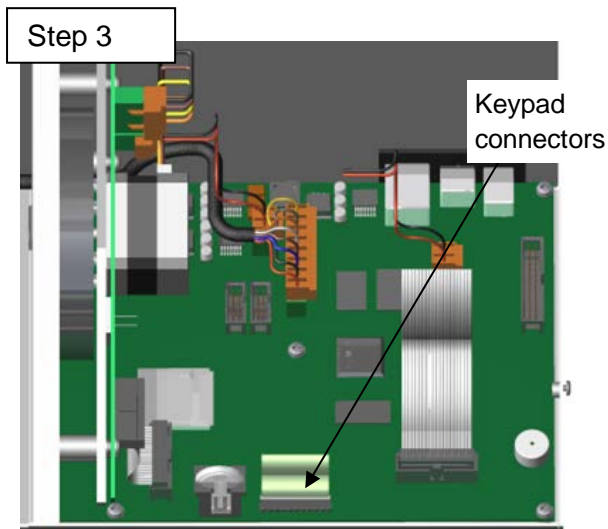
Disconnect from the power supply before continuing.



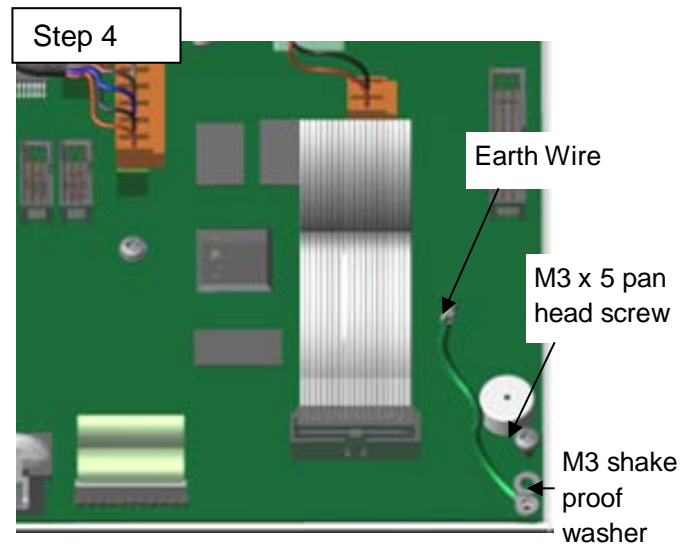
Remove the right lid carefully by removing the 2x M3 x 8 socket head screws



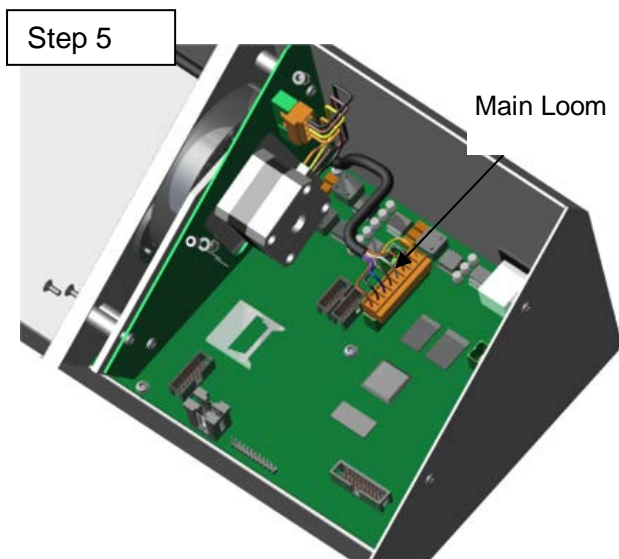
Remove the Display connectors from the connectors on the Main boards as shown.



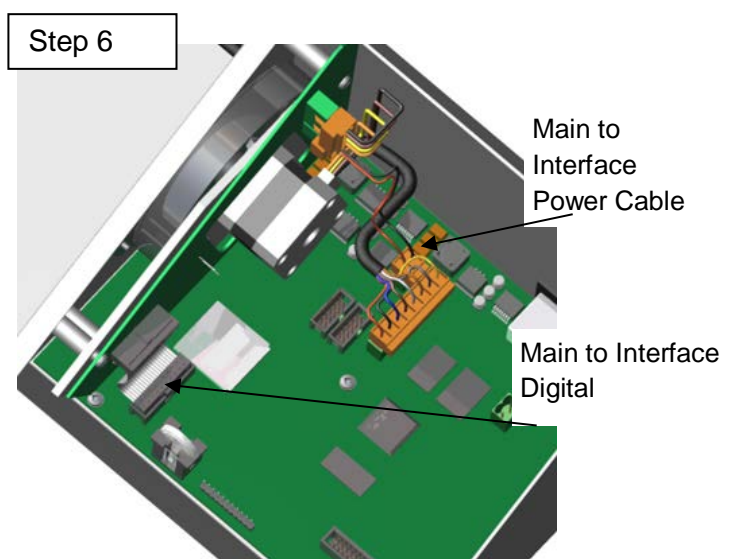
Remove the keypad connector to the connectors on the Main Boards as shown.



Remove the Earth Wire from the Main Board by removing the M3 x 5 pan head screw and the M3 shake proof washer as shown.

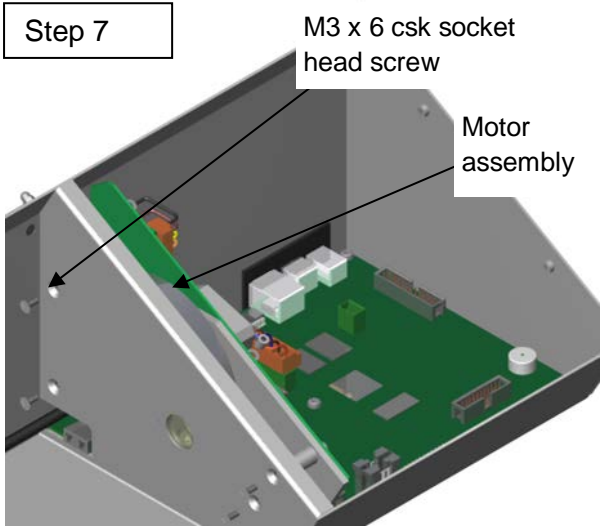


Remove the Main Loom connector from the Main Board.



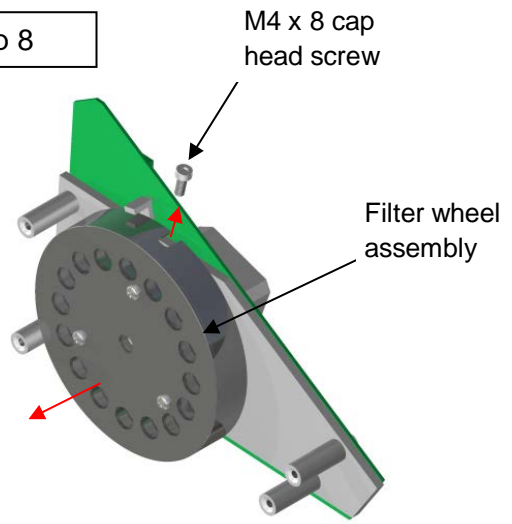
Remove the Main to Interface Power Cable and the Main to Interface Digital Cable from the connectors on the Main Board as shown.

Step 7



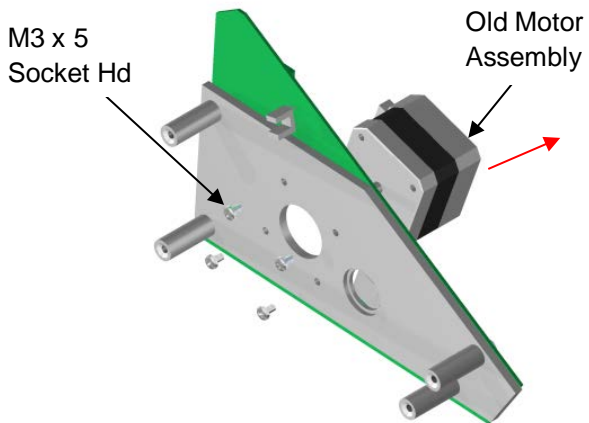
Remove the motor assembly by removing the 4x M3 x 6 csk socket head screws

Step 8



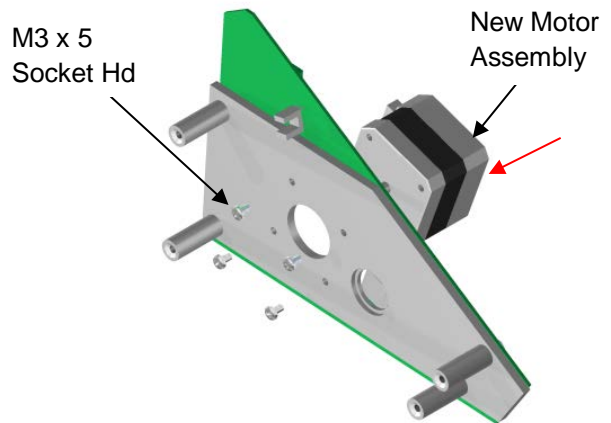
Unscrew the M4 x 8 cap head screw, then remove the filter wheel assembly from the Stepper Motor spindle.

Step 9



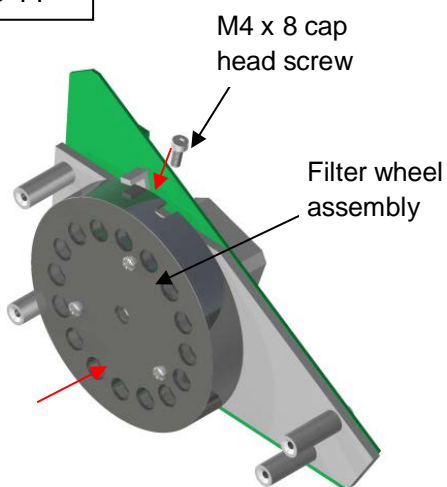
Remove the Old Stepper Motor Assembly (137240) to the Motor bulkhead using 4x M3 x 6 socket head screws

Step 10



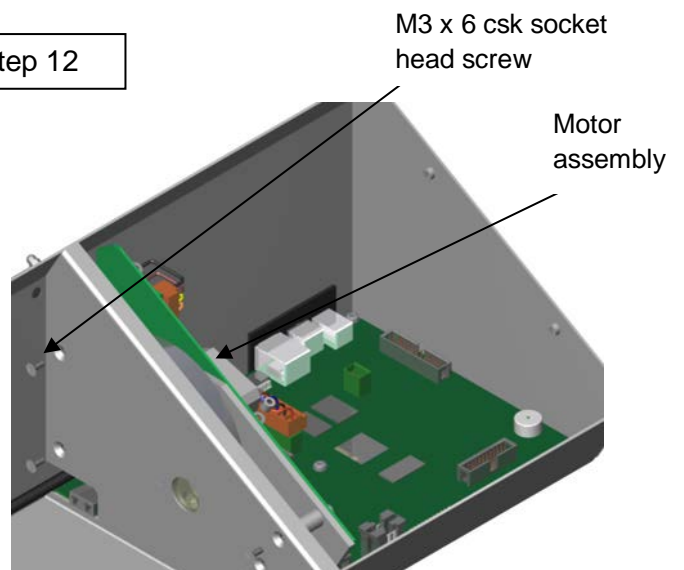
Attach the New Stepper Motor Assembly (137240) to the Motor bulkhead using 4x M3 x 6 socket head screws

Step 11

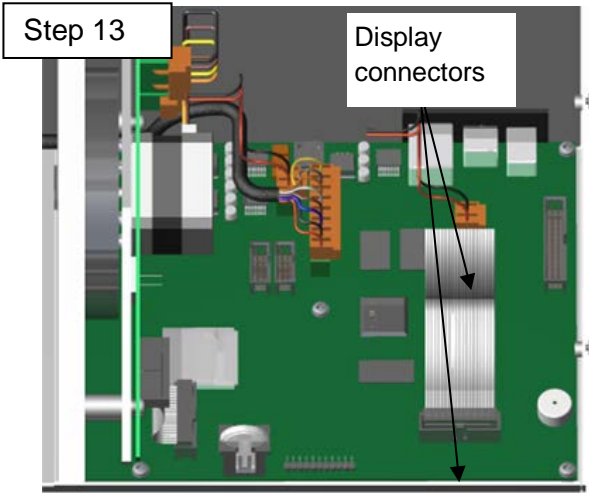


Push the new filter wheel assembly onto the Stepper Motor spindle, ensure the wheel is moving smoothly and passes through the opto switch beam, then screw down using 1x M4 x 8 cap head screw.

Step 12



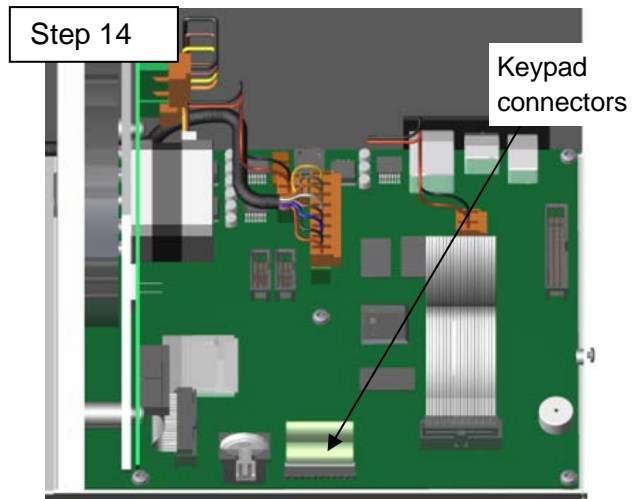
Replace the motor assembly by placing in position and inserting the 4x M4 x 8 csk socket head screws



Step 13

Display connectors

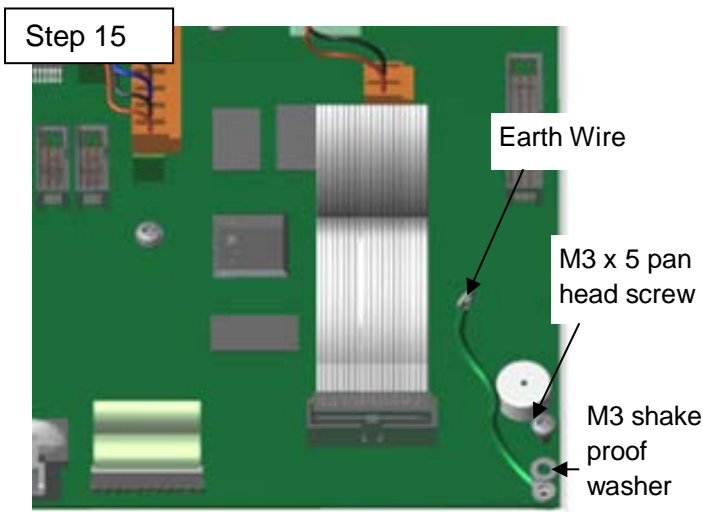
Replace the Display Connectors to the connectors on the Main boards as shown.



Step 14

Keypad connectors

Replace the keypad connector to the connectors on the Main Boards as shown.



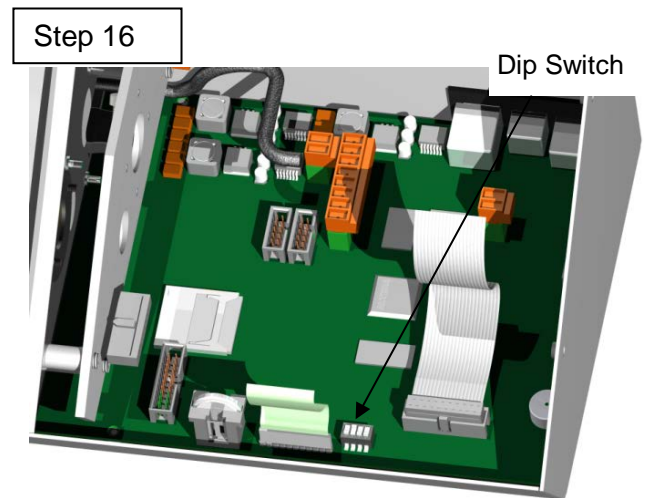
Step 15

Earth Wire

M3 x 5 pan head screw

M3 shake proof washer

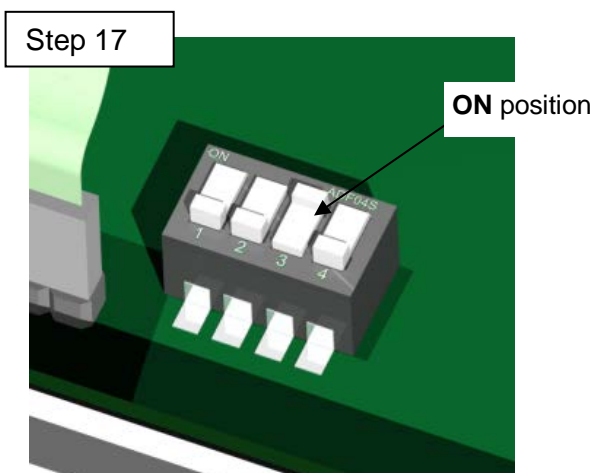
Attach the Earth Wire to the Main Board by replacing the M3 x 5 pan head screw and the M3 shake proof washer as shown.



Step 16

Dip Switch

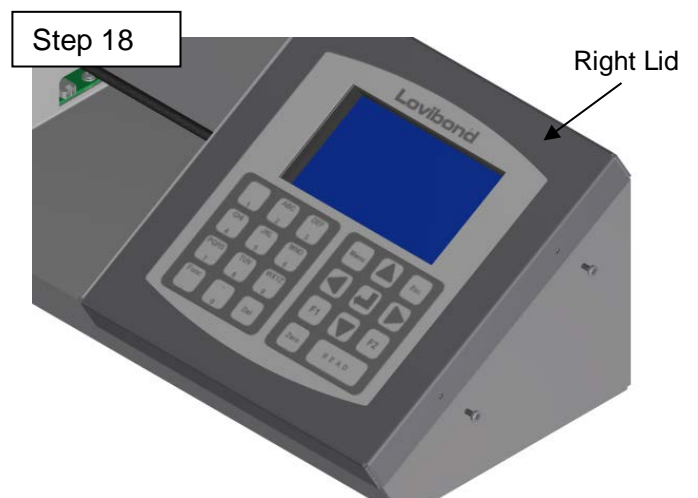
Move the Dip Switches to the correct position for the motor being fitted. See the table in Step 19.



Step 17

ON position

Push the switch to the back of the instrument to turn the switch **ON**. Step 17 shows Motor Setting 2.



Step 18

Right Lid

Replace the right lid carefully by replacing the 2x M3 x 8 socket head screws.

Step 19

Switch Motor Setting	Dip Switch 1	Dip Switch 2	Dip Switch 3	Dip Switch 4
1 – Old Style Motor	OFF	OFF	OFF	OFF
2 – New Style Motor	OFF	OFF	ON	OFF