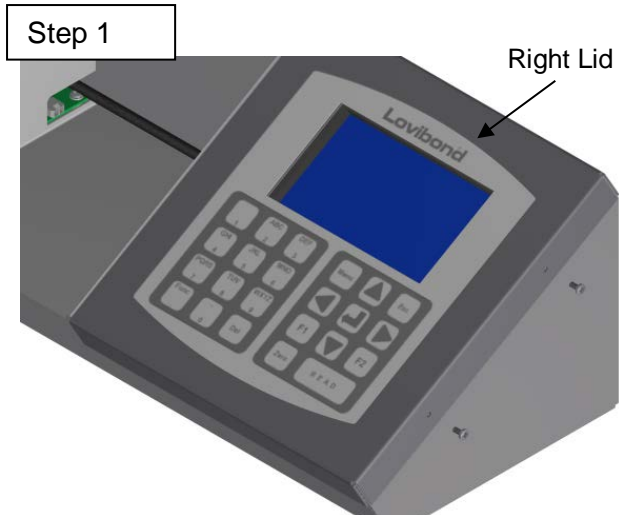


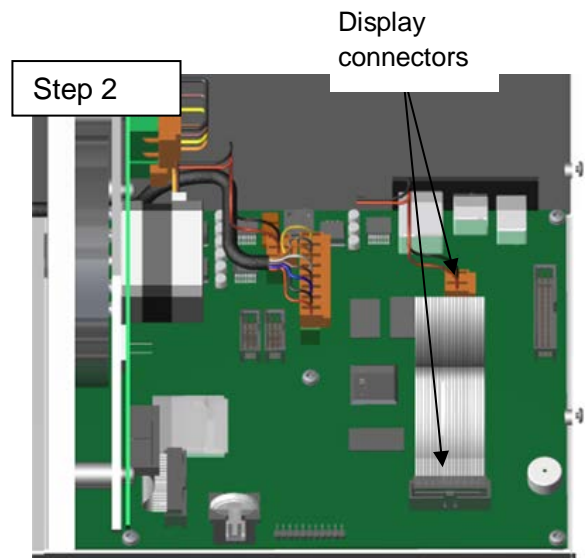
PFXi Replacement of the Motor Board



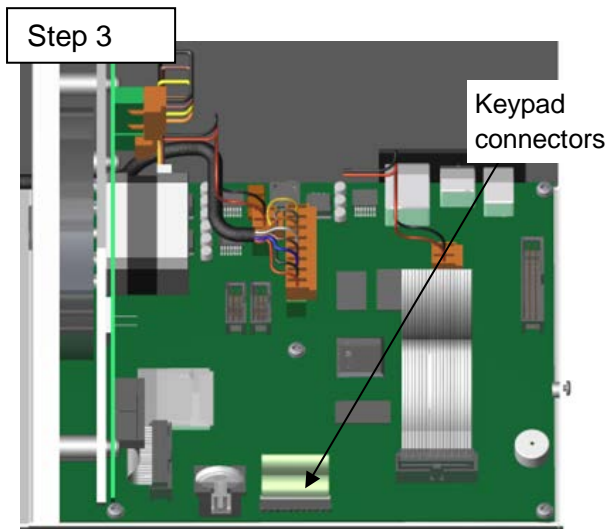
Disconnect from the power supply before continuing.



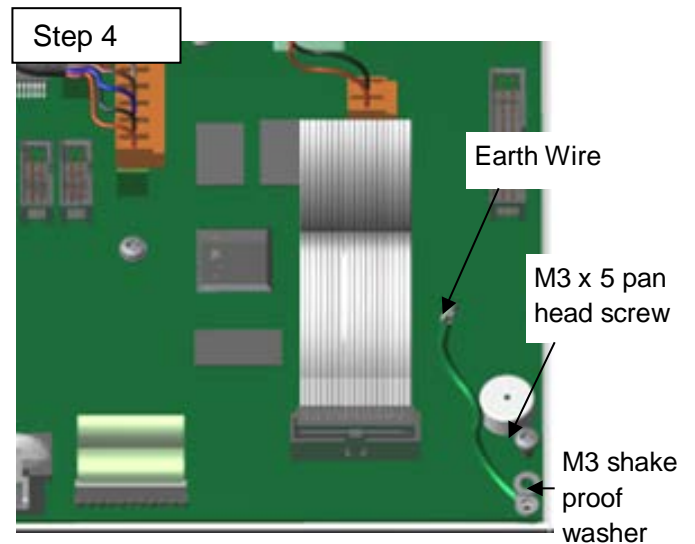
Remove the right lid carefully by removing the 2x M3 x 5 pan head screws



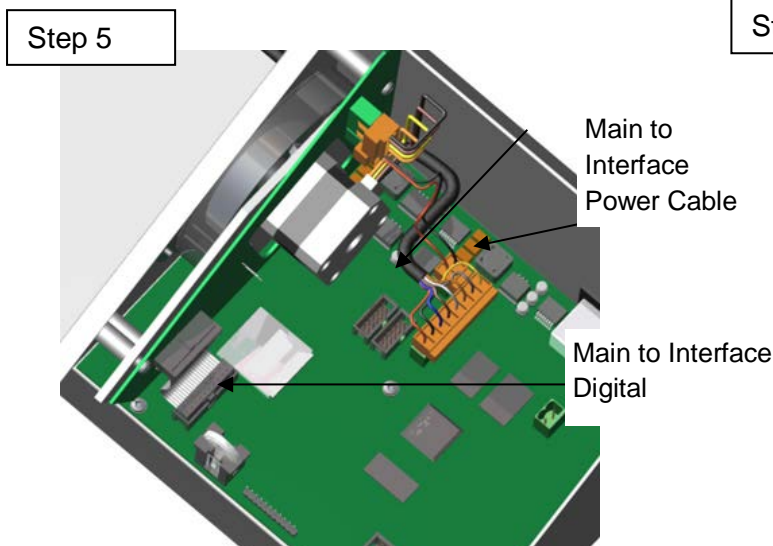
Remove the Display connectors from the connectors on the Main boards as shown.



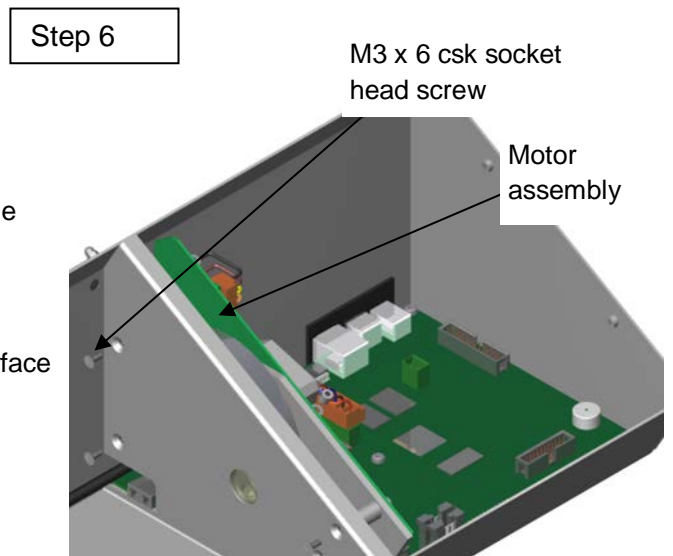
Remove the keypad connector to the connectors on the Main Boards as shown.



Remove the Earth Wire from the Main Board by removing the M3 x 5 pan head screw and the M3 shake proof washer as shown.

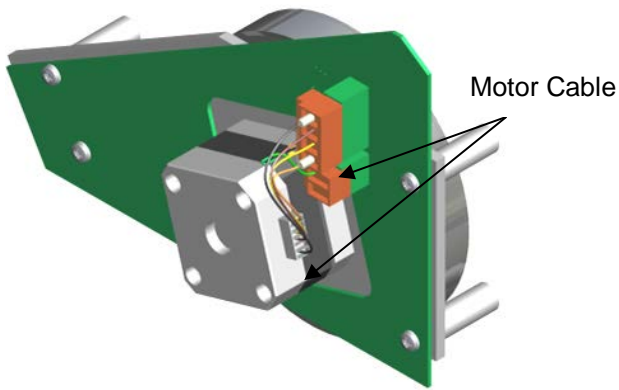


Remove the Main to Interface Power Cable and the Main to Interface Digital Cable from the connectors on the Main Board as shown.



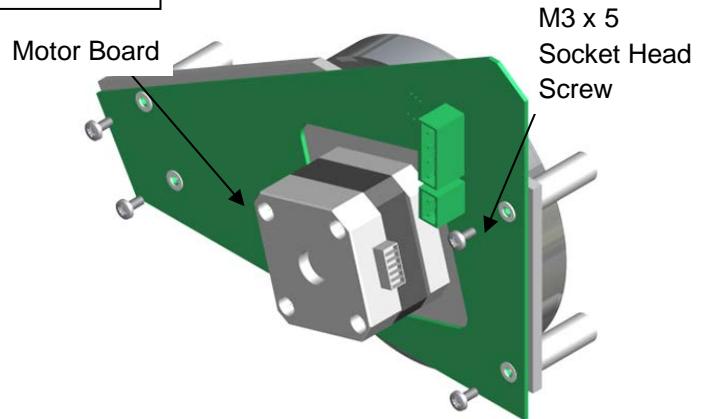
Remove the motor assembly by removing the 4x M3 x 6 csk socket head screws

Step 7



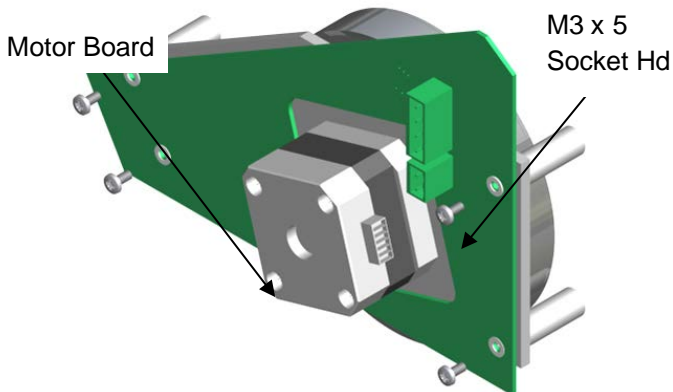
Remove the motor cable from the motor and the Motor Board.

Step 8



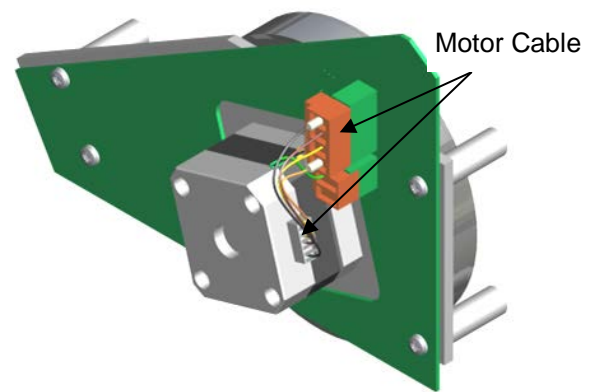
Remove the old Motor Board from the Motor bulkhead using 4x M3 x 6 cap socket head screws.

Step 9



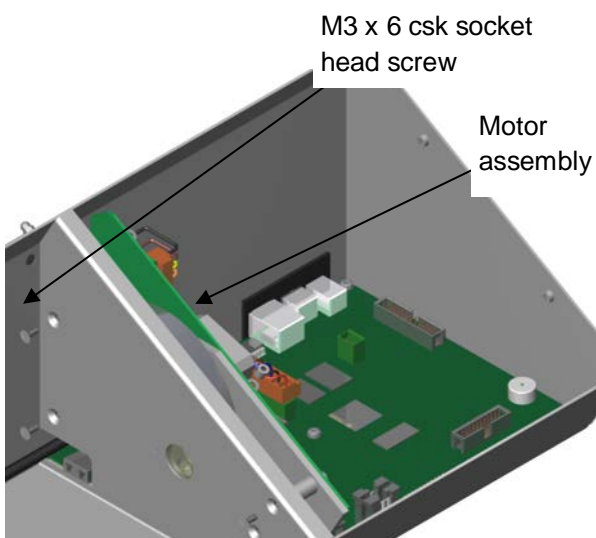
Attach the new Motor Board to the Motor bulkhead using 4x M3 x 6 cap socket head screws.

Step 10



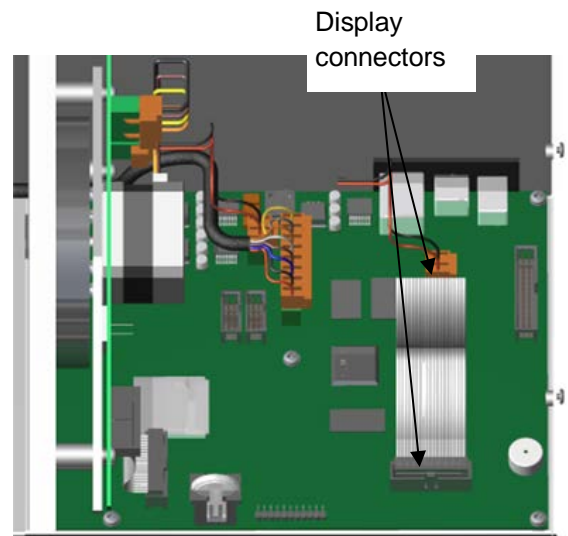
Reconnect the motor cable to the motor and the Motor Board.

Step 11



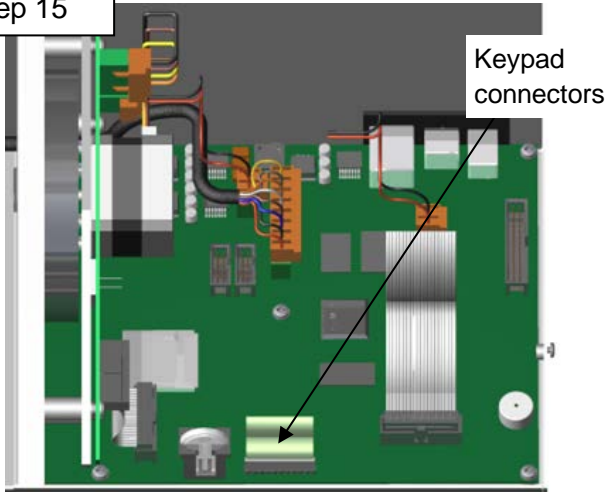
Replace the motor assembly by placing in position and inserting the 4x M3 x 6 csk socket head screws

Step 12



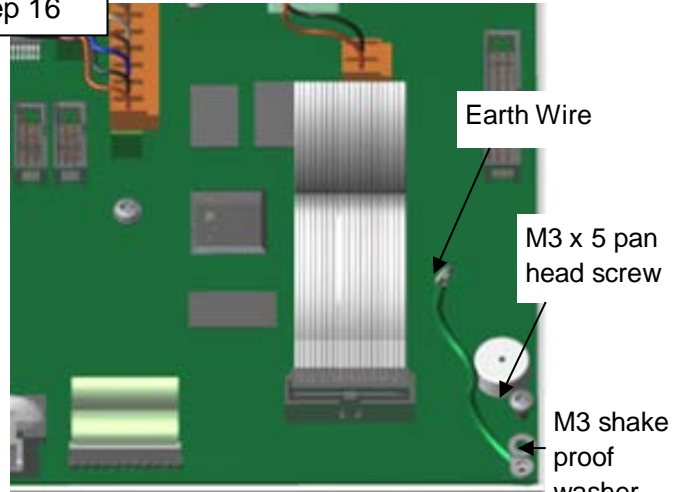
Replace the Display Connectors to the connectors on the Main boards as shown.

Step 15



Replace the keypad connector to the connectors on the Main Boards as shown.

Step 16



Attach the Earth Wire to the Main Board by replacing the M3 x 5 pan head screw and the M3 shake proof washer as shown.

Step 17



Replace the right lid carefully by replacing the 2x M3 x 5 pan head screws.