

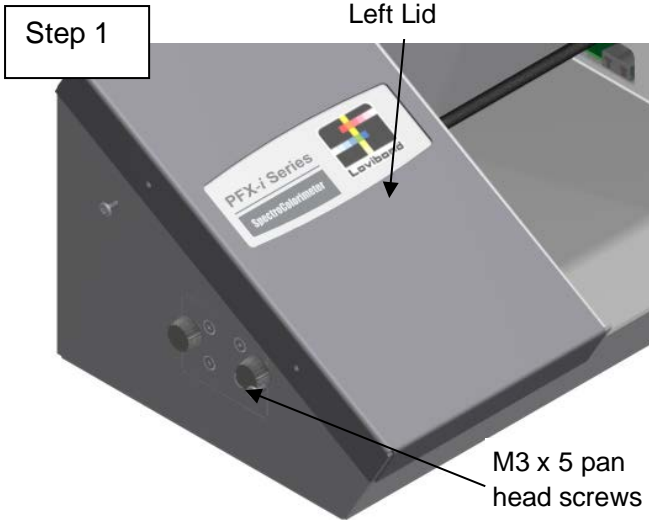
PFXi Aligning the Optics



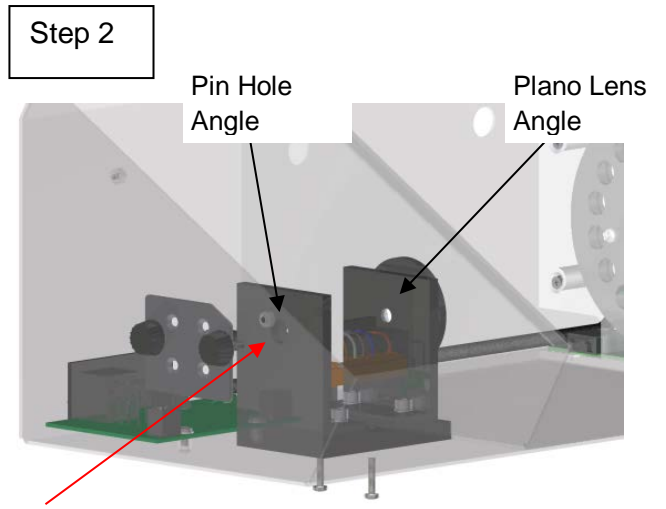
Disconnect from the power supply before continuing.

The Tintometer Ltd, Lovibond House, Sun Rise Way, Amesbury, SP4 7GR, UK

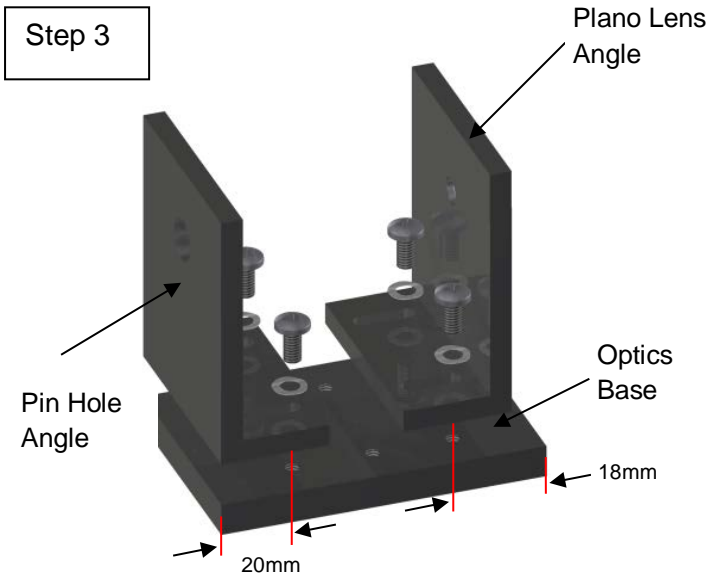
Tel: +44 (0) 1980 664800 Fax +44 (0) 1980 625412



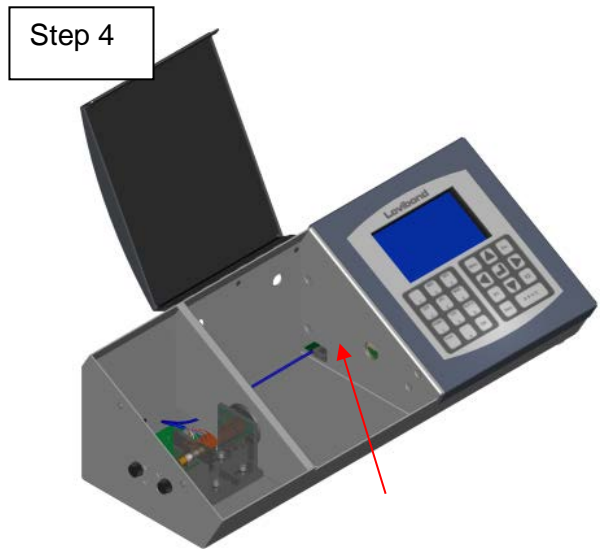
Remove the left lid by removing the 2x M3 x 8 socket head screws.



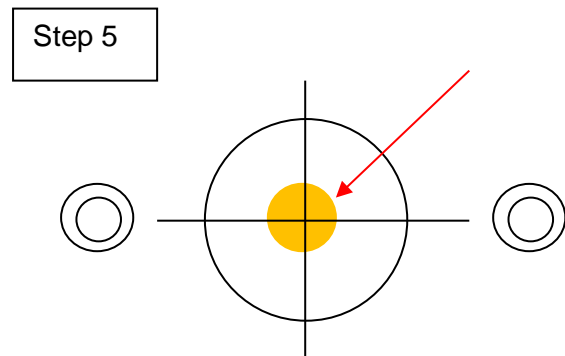
Ensure the pin hole side of the Optics Assembly is next to the lamp.



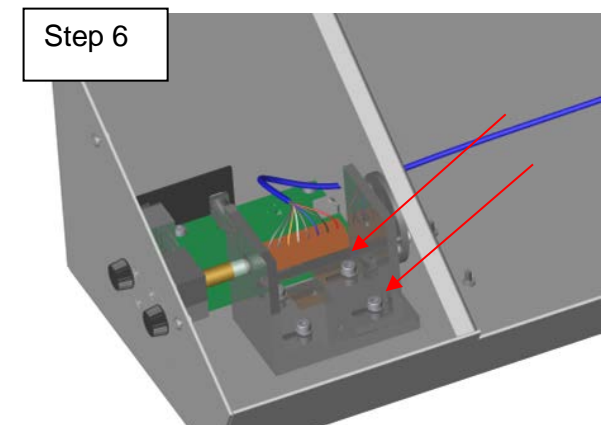
Ensure the Plano lens is mounted on the shorter side (18mm).



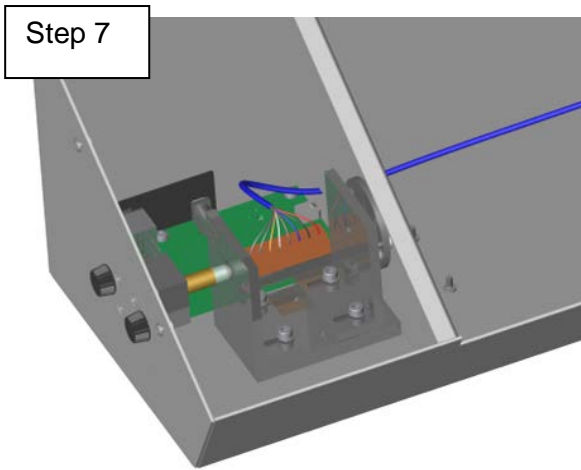
Cut out the template supplied and position on the inside of the sample chamber as shown. Ensure the four holes on the template are aligned with the holes on the sample chamber.



Turn on the power and press "Zero", after a few seconds the lamp will turn on, check the beam of light focuses on the centre of the cross. The light beam should be sharp.



If the beam of light is not aligned, loosen the two M4 x 12 pan head screws as shown and adjust the position of the Plano Lens Angle until the light beam is positioned on the cross. If the lamp turns off press "Zero" again.



Once the beam of light is focused, tighten the 2x M4 x 12 screws.



Replace the left hand lid, and tighten the 2x M3 x 8 socket head screws.

After the lamp has been changed, carry out the following:



Press **MENU**

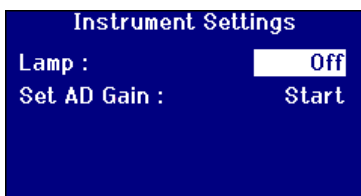
Press or to move the Highlight bar to **“Hardware Setup”**.

Press to select.

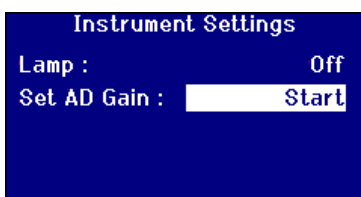


Press or to move the Highlight bar to **“Instrument Settings”**.

Press to select.



Press or to move the highlight bar to **“Lamp”**. The lamp can be switched on and off to test the lamp.



After the lamp has been changed, the gain settings of the instrument need to be set. Move the highlight bar to **“Set AD Gain”** and press to start the process.

Instrument Settings

Lamp : On
Set AD Gain : In Progress...
Setting Filter : 1 of 10
Gain Pot Value: 11

The process will take several minutes. The display will show the progress of the operation.

Template

